

DIMENSIONS OF POLYPROPYLENE REAGENT RESERVOIR (4 COLUMNS, 73ML/COL, V-BOTTOM, PN 6008710)

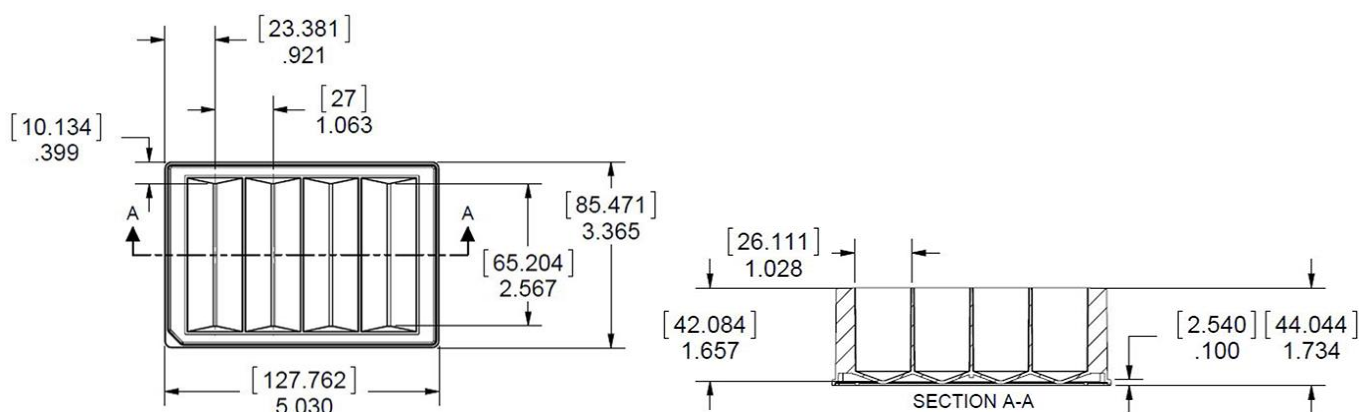
Material and treatment

Polypropylene reagent reservoir with 4 columns of 73 mL per column. Bottom is V-shaped. Free of DNase, and RNase. Untreated, non-sterile.

Packaging

6008710 is a case with 25 plates, individually pouched.

Dimensions



Microplate Dimensions	6008710
Length at base plane	127.76 mm
Width at base plane	85.47 mm
Height overall	44.04 mm
Column depth	42.08 mm
Column diameter at opening	26.11 mm
Well diameter at bottom	NA
Column volume	73 mL
Column spacing	26.11 mm
Skirt height	2.54 mm