

DIMENSIONS OF HARDSHELL PCR PLATE-96 BLUE

PN 6008870 --- blue rigid frame with clear wells

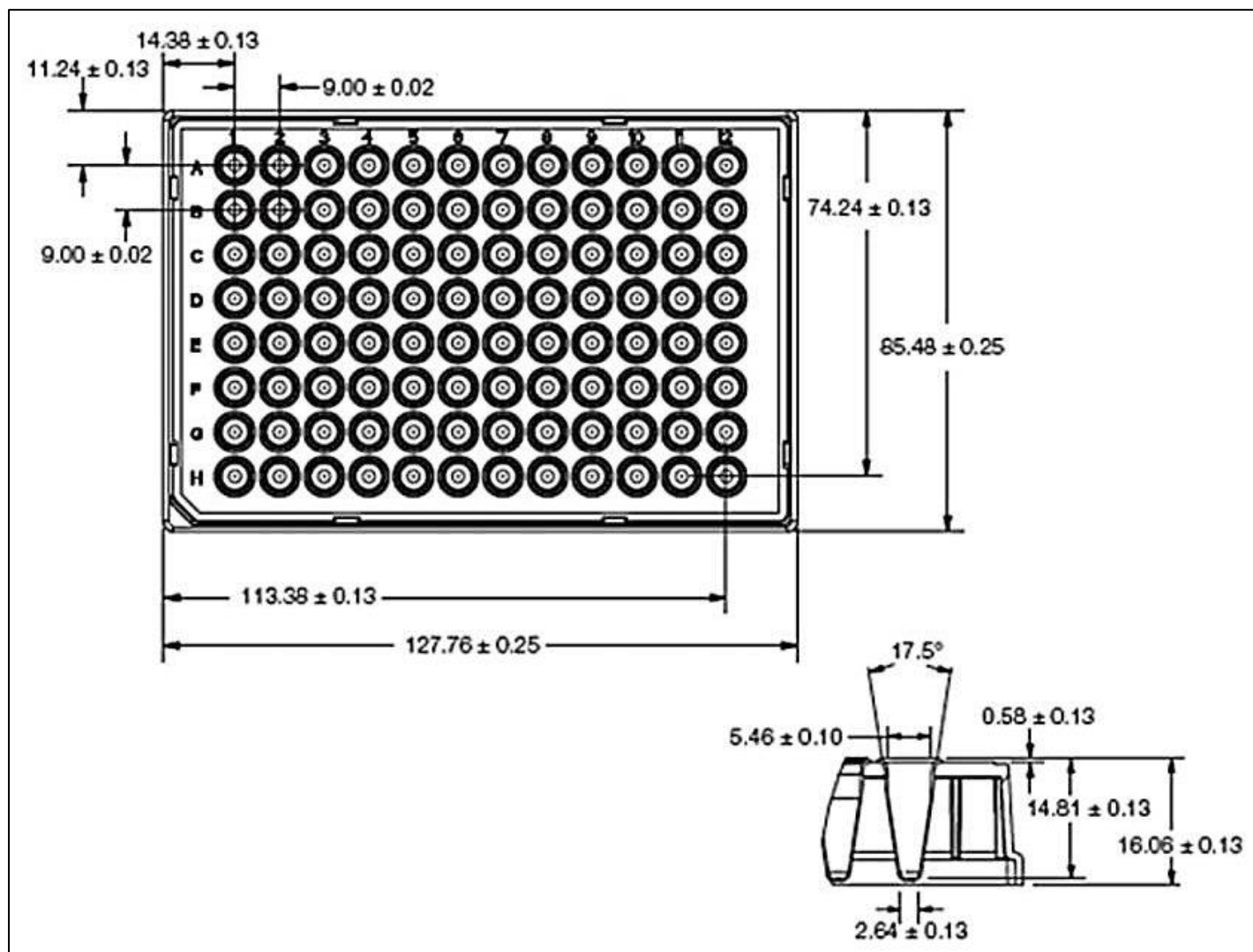
Material and treatment

Patented, rigid two-component design 96-well PCR microplate. Blue frame, clear wells. Low-profile, thin-wall (polypropylene tubes). Free of DNase, RNase and human genomic DNA. Well volume 200 μ L.

Packaging

6008870 is a case with 50 plates, packed as 5 bags of 10 plates each.

Dimensions --- customer drawing



Product manufactured by Bio-Rad, USA and distributed by PerkinElmer Health Sciences B.V. The Netherlands

Hard-Shell plates are covered by one or more of the following U.S. patents or their foreign counterparts owned by Eppendorf AG: U.S. patent Nos. 7,347,977, and 6,528,302