

DIMENSIONS OF 1/2Area ViewPlate-96 (PN 6005760 or 6005768)

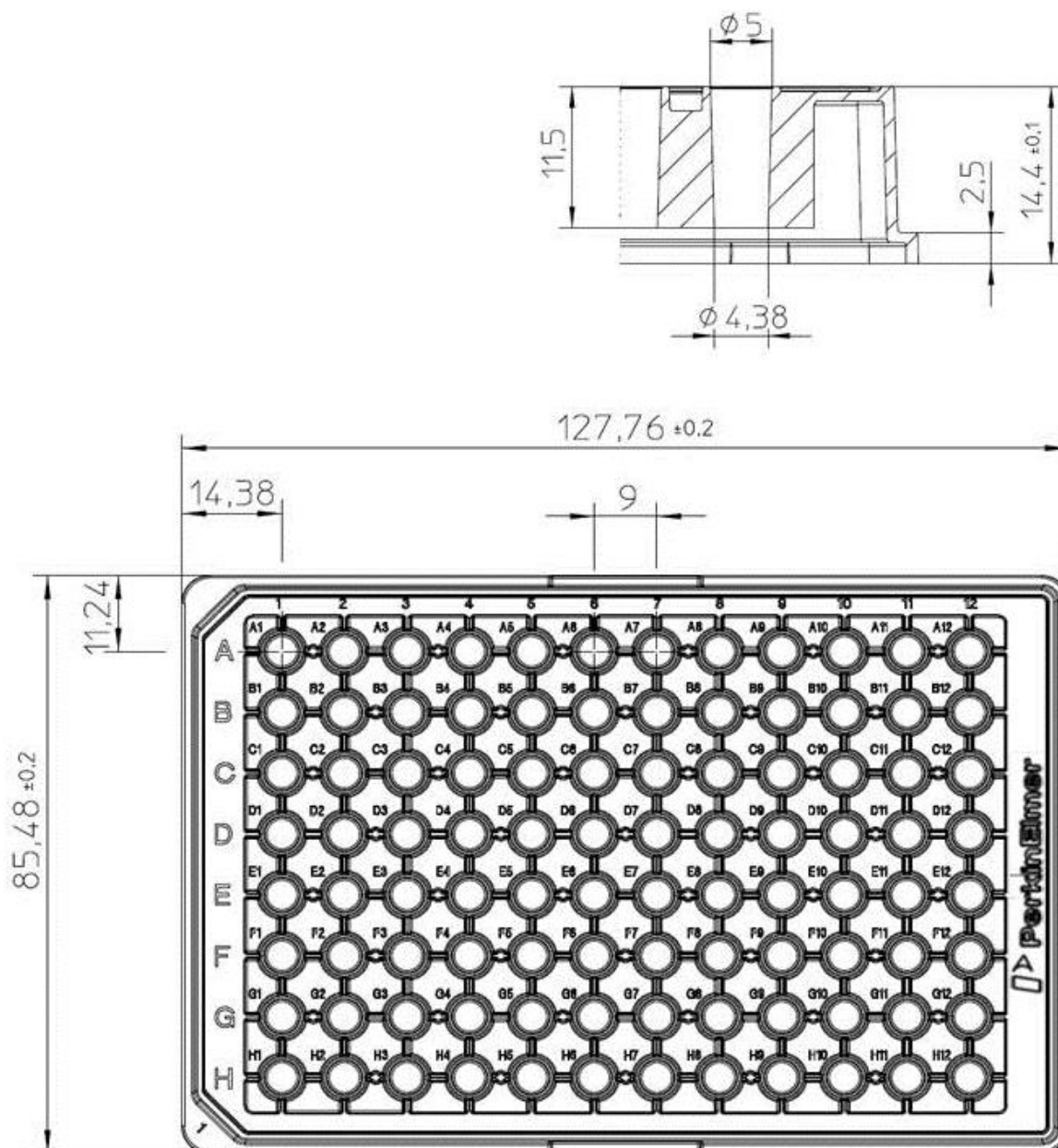
Material and treatment

White microplate with optically clear, polystyrene foil bottom (190 µm). Half area well profile (half diameter / regular depth). Refractive index of plate bottom is 1.58. Plates are tissue culture treated, lidded and irradiated.

Packaging

6005760 is a case with 40 plates with lids (2 bags of 20 lidded plates each). 6005768 is a case with 160 lidded plates packed as 8 bags with 20 lidded plates each.

Dimensions --- customer drawing

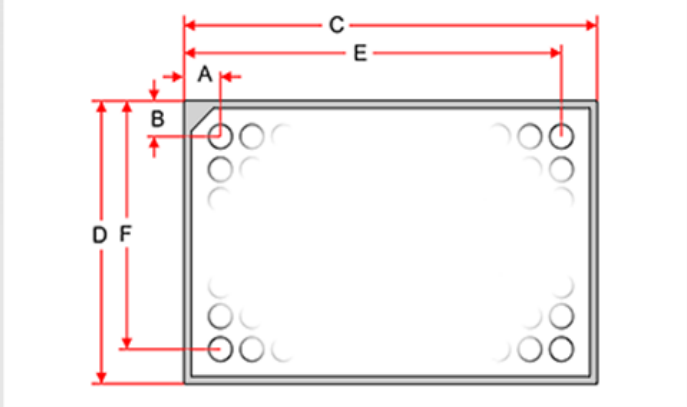


Dimensions --- for Harmony software Microplate Definition Wizard

Plate Type Definition Wizard

Step 4 / 7

Please enter the dimensions of the plate type.



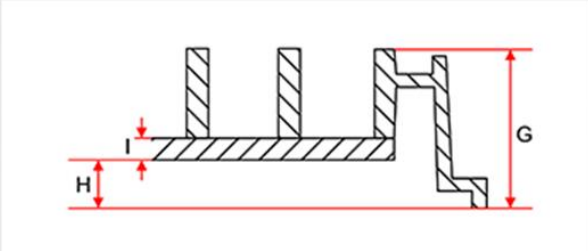
A: **14.38** mm C: **127.76** mm E: **113.38** mm
B: **11.24** mm D: **85.48** mm F: **74.24** mm

< Back Next >

Plate Type Definition Wizard

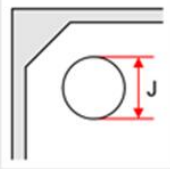
Step 5 / 7

Side:

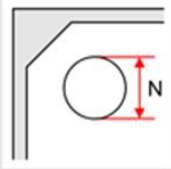


G: **14.40** mm
H: **2.71** mm
I: **0.19** mm

Top: Bottom:



J: **5.00** mm



N: **4.38** mm

< Back Next >

Product distributed by:
PerkinElmer Health Sciences B.V.
The Netherlands