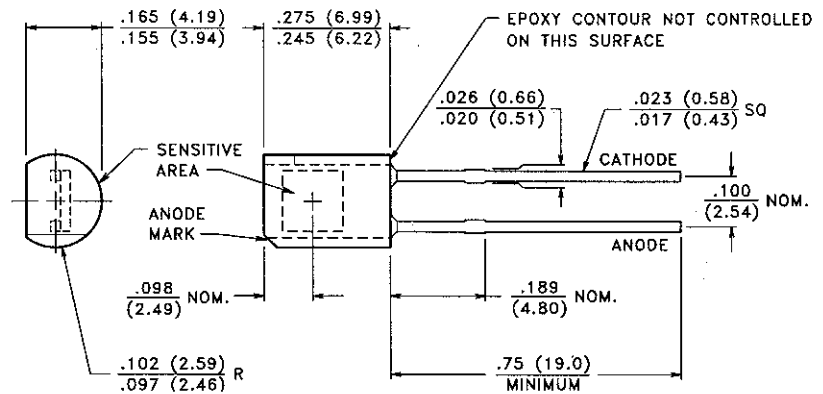


PACKAGE DIMENSIONS inch (mm)



CASE 60 TO-92 TYPE (ROUND LENS)
CHIP ACTIVE AREA: .011 in² (7.41 mm²)

PRODUCT DESCRIPTION

Large area planar silicon photodiode in a cast epoxy sidelooker, similar in outline to the TO-92 package. The package material filters out all visible light but passes infrared. These diodes exhibit low dark current under reverse bias and fast speed of response.

ABSOLUTE MAXIMUM RATINGS

Storage Temperature: -40°C to 100°C
Operating Temperature: -40°C to 100°C

RoHS Compliant



ELECTRO-OPTICAL CHARACTERISTICS @ 25°C

SYMBOL	CHARACTERISTIC	TEST CONDITIONS	VTD205H			UNITS
			Min.	Typ.	Max.	
I_{SC}	Short Circuit Current	940 nm, H = 0.5 mW/cm ²	15	25		μA
TC I_{SC}	I_{SC} Temperature Coefficient	2856 K		.20		%/°C
V_{OC}	Open Circuit Voltage	940 nm, H = 0.5 mW/cm ²	250	350		mV
TC V_{OC}	V_{OC} Temperature Coefficient	2856 K		-2.6		mV/°C
I_D	Dark Current	H = 0, V_R = 10 V		2	30	nA
C_J	Junction Capacitance	H = 0, V_R = 0 v, 1 MHz		72		pF
t_R/t_F	Rise/Fall Time @ R_L = 50Ω	V_R = 5 V, 850 nm		20		nsec
S_R	Sensitivity	@ Peak		0.6		A/W
λ_{range}	Spectral Application Range		800		1100	nm
λ_p	Spectral Response - Peak			925		nm
V_{BR}	Breakdown Voltage		20	50		V
$\theta_{1/2}$	Angular Resp.-50% Resp. Pt.			±60		Degrees